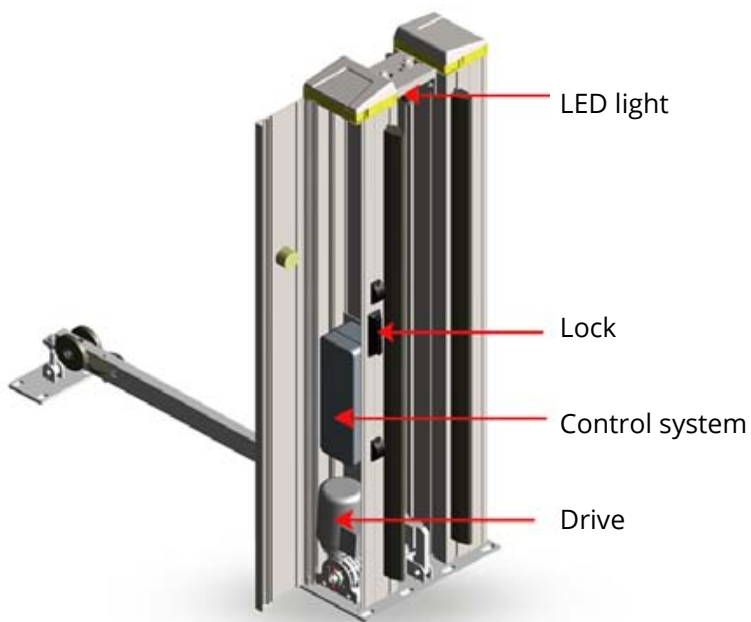


Technical details drive system INLINE 160 (previously Inline 12)

Dimensions base plate single post	400 x 330 mm
Dimensions base plate double post	563 x 330 mm
Dimensions aluminum post	220 x 172 mm
Max. Weight of gate	1300 kg
Control system	DKS 400 V
Battery backup (UPS)	NiMH
Temperature range	-20°/+60°C
Supply voltage	400 V AC
Control voltage	24 V DC
Duty cycle	100%
Limit switch	Inductive
Torque approx.	80 Nm
Speed approx.	10 m / min



Holler-Tore GmbH

📍 Dorfstrasse 31, 8430 Leitring

☎ Tel. +43 3452 86031 - 0

📠 Fax +43 3452 75831

✉ mail@holler-tore.at
www.holler-tore.at



www.b-alu.at



www.colibri-tore.at