

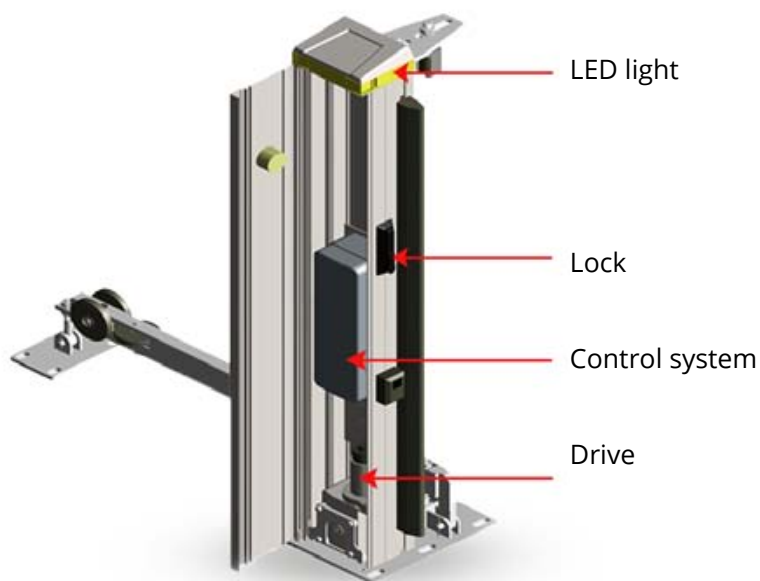


**BALU**<sup>®</sup>

A BEAR OF A GATE

## Technical details drive system **INLINE 100** (previously Inline 3)

Dimensions base plate single post	400 x 330 mm
Dimensions base plate double post	563 x 330 mm
Dimensions aluminum post	220 x 172 mm
Max. Weight of gate	500 kg
Control system	CCi9242
Battery backup (UPS)	NiMH
Temperature range	-20°/+60°C
Supply voltage	230 V AC
Control voltage	24 V DC
Limit switch	Encoder
Torque approx.	60 Nm



### Holler-Tore GmbH

📍 Dorfstrasse 31, 8430 Leitring

☎ Tel. +43 3452 86031 - 0

📠 Fax +43 3452 75831

✉ mail@holler-tore.at  
www.holler-tore.at



www.b-alu.at



www.colibri-tore.at