

ALUMINUM BIFOLDING SPEED GATES

BALU QUATTRO



- Single leaf up to 12m x 4m
- Opening and closing speed is up to 1 m/s
- Revolutionary fully integrated patented drive system
- Robust steel guide posts
- Vertical bar/weld mesh/perforated sheet/solid or custom infills
- Superior powder-coat finish in a wide variety of colours
- Trackless guide system for trouble free operation
- Electric drop bolt system for secure fixing in the open and closed positions
- ENI3241-I approved, TUV certified and CE Marked
- Fully integrated safety edges, dual height light barriers, LED warning light
- Factory configured and 100% tested for efficient and simplified installation
- Low-wear soft-start and soft-stop gate control of the leaf
- Plug and play automation

Gate width up to...	12m x 4m
Base plate 400 x 330 mm (single post)	✓
Base plate 563 x 330 mm (double post)	✓
Steel post 300 x 300 mm	✓
Flashing warning light	✓
Dual Height Light Barriers	✓
Key switch in fixing post+2 keys	✓
Programable control system	✓
Temperature range -20°/+60°	✓
Supply voltage 230v AC	✓
Control voltage 24v DC	✓
Limit switch encoder	✓
Active safety edges (per leaf)	5
Adjustable soft start/stop	✓
Opening speed per minute	up to 1m/min
Torque approx. Nm	100
Duty Cycle	100%
Max power consumption (amps)	10

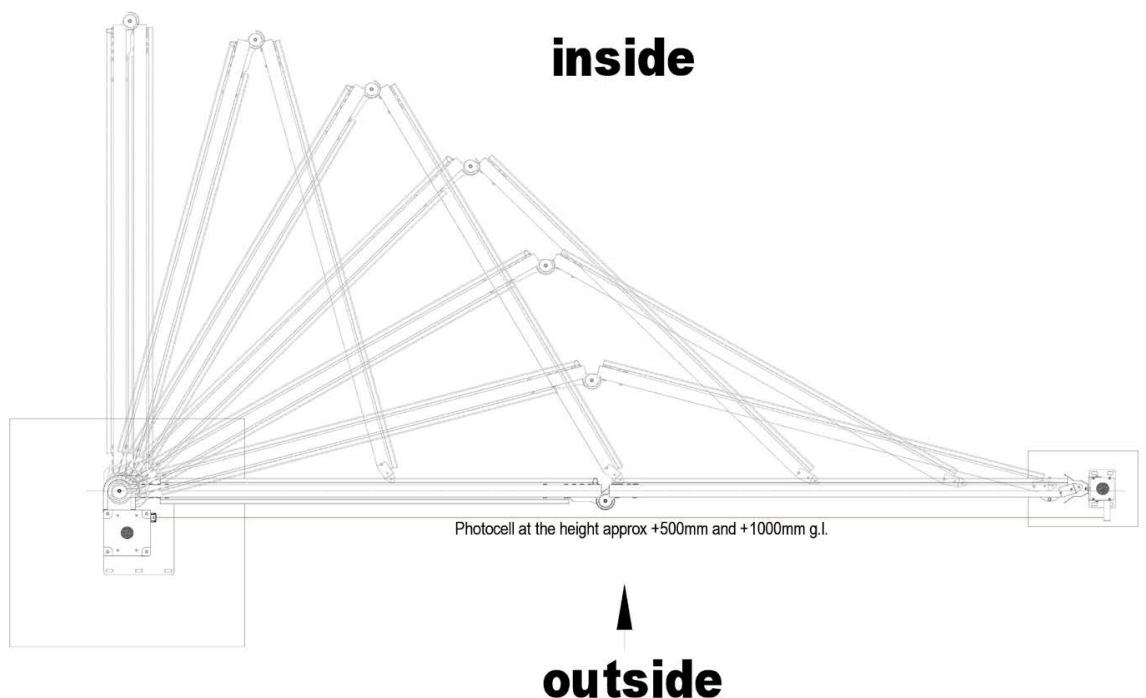
PLAN VIEW

TESTED AND CERTIFIED
EN 13241-1

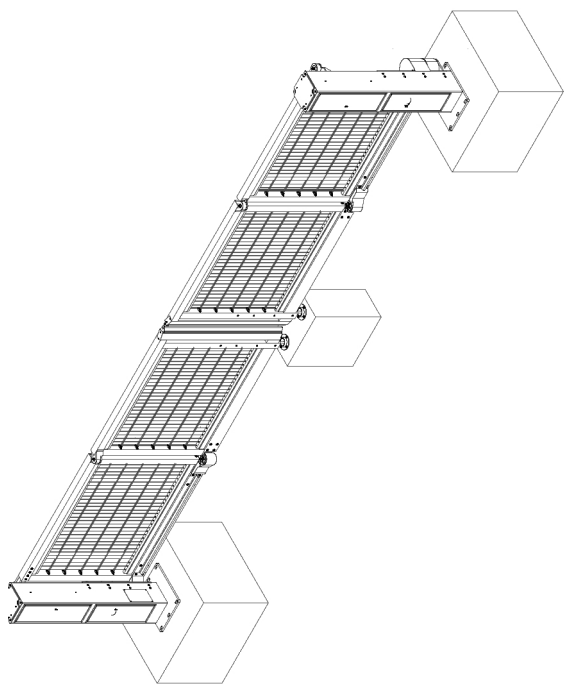
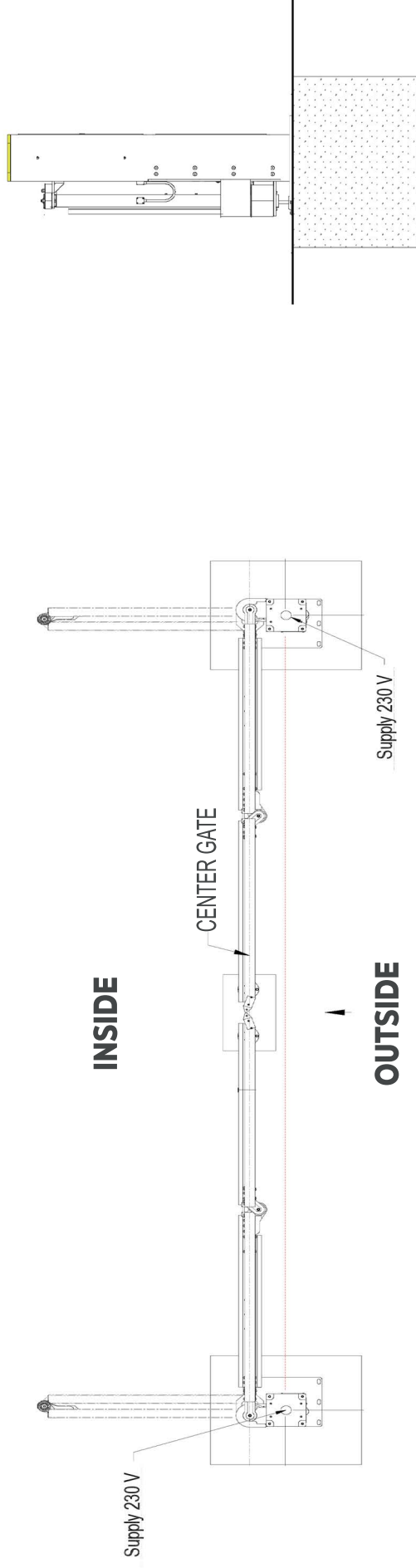
GSB
INTERNATIONAL

TUV
AUSTRIA
ISO
9001
QUALITY
ASSURANCE

Meets all the safety requirements and provisions of ENI3241-I



DOUBLE LEAF



Possible sizes: (*)

HEIGHT	4000	5000	6000	7000	8000	9000	10000	11000	12000	WIDTH
4000										
3500										
3000										
2500										
2250										
2000										
1800										
1250										
1000										

* Sizes are a guide and can be fully customised